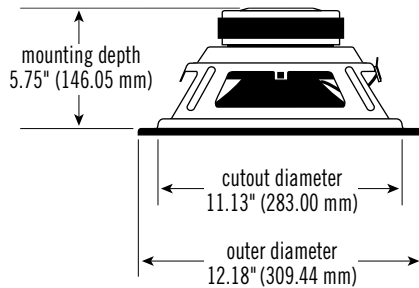


## SPECIFICATIONS

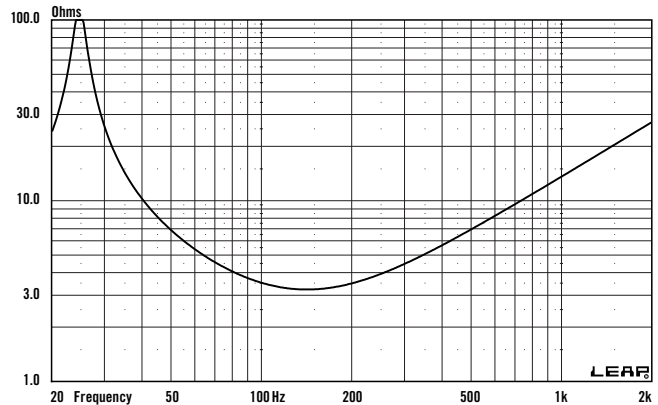
DIAMETER:	12" (304.8 mm)
SENSITIVITY (2.83 V @ 1 m):	95 dB
POWER HANDLING:	280 W <sub>RMS</sub>
FREQUENCY RESPONSE:	25 ~ 3,000 Hz
NOMINAL IMPEDANCE:	4 OHMS
VOICE-COIL DIAMETER:	2.0" (50.7 mm)
DIMENSIONS:	



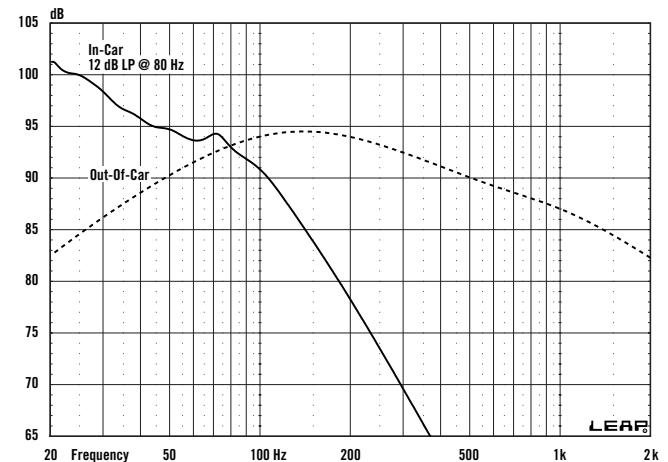
## THIELE-SMALL PARAMETERS

VOICE COIL DC RESISTANCE:	$R_{EVC}$ (OHMS) . . . . .	3.17
VOICE COIL INDUCTANCE @ 1 kHz:	$L_{EVC}$ (MH) . . . . .	2.16
DRIVER RADIATING AREA:	$S_D$ (IN <sup>2</sup> ) . . . . .	82.10
	$S_D$ (CM <sup>2</sup> ) . . . . .	532.00
MOTOR FORCE FACTOR:	$BL$ (TM) . . . . .	12.82
COMPLIANCE VOLUME:	$V_{AS}$ (FT <sup>3</sup> ) . . . . .	6.60
	$V_{AS}$ (LITERS) . . . . .	155.73
SUSPENSION COMPLIANCE:	$C_{MS}$ (μM/N) . . . . .	387.48
MOVING MASS, AIR LOAD:	$M_{MS}$ (GRAMS) . . . . .	105.69
MOVING MASS, DIAPHRAGM:	$M_{MD}$ (GRAMS) . . . . .	98.64
FREE-AIR RESONANCE:	$F_S$ (Hz) . . . . .	24.80
MECHANICAL Q:	$Q_{MS}$ . . . . .	11.76
ELECTRICAL Q:	$Q_{ES}$ . . . . .	0.32
TOTAL Q:	$Q_{TS}$ . . . . .	0.31
MAGNETIC-GAP HEIGHT:	$H_{AG}$ (IN) . . . . .	0.31
	$H_{AG}$ (MM) . . . . .	7.92
VOICE-COIL HEIGHT:	$H_{VC}$ (IN) . . . . .	0.88
	$H_{VC}$ (MM) . . . . .	22.23
MAXIMUM EXCURSION:	$X_{MAX}$ (IN) . . . . .	0.28
	$X_{MAX}$ (MM) . . . . .	7.15

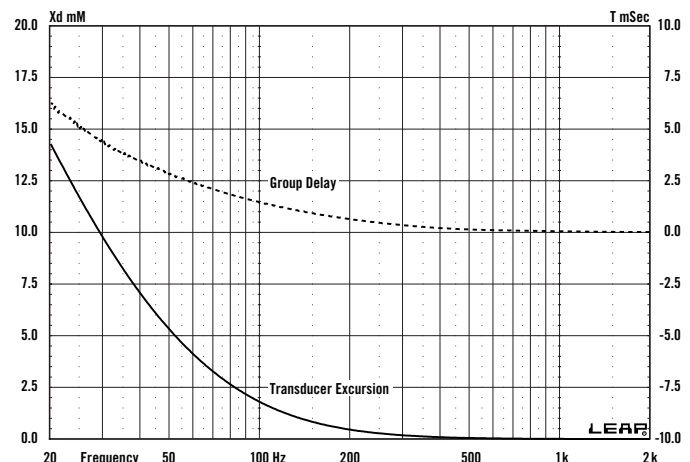
## IMPEDANCE CURVE



## INFINITE Baffle FREQUENCY RESPONSE @ 2.83 V



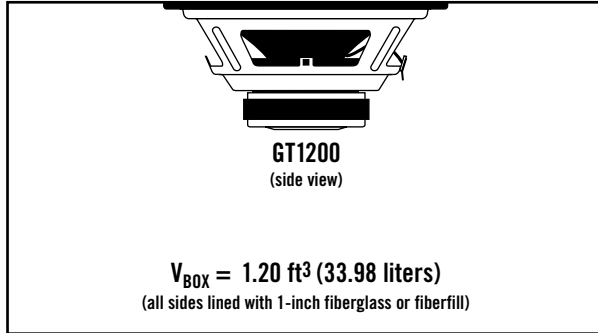
## INFINITE Baffle EXCURSION/GROUP DELAY @ 75 W



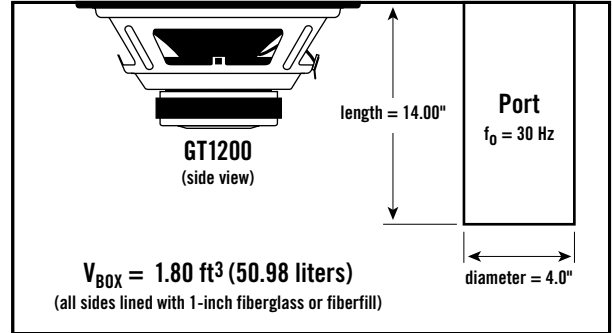


# GT1200 12" Woofer – Technical Data

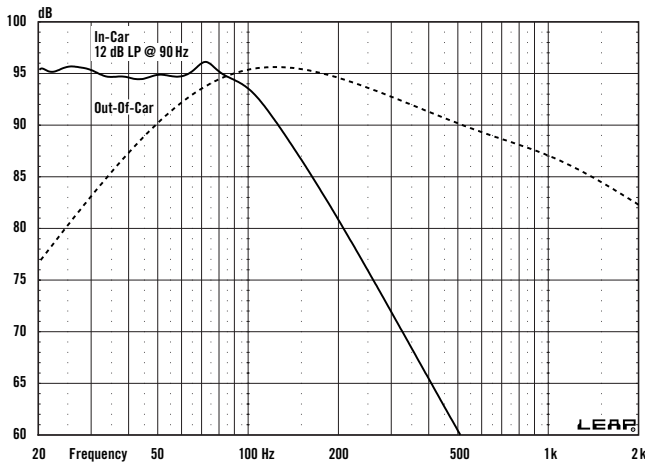
## SEALED BOX VOLUME



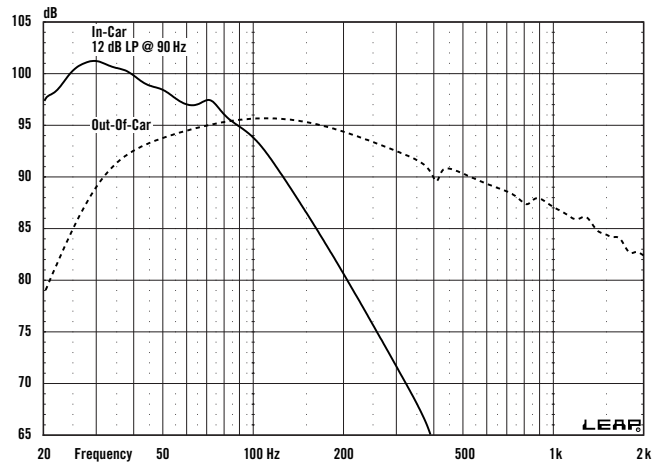
## VENTED BOX VOLUME



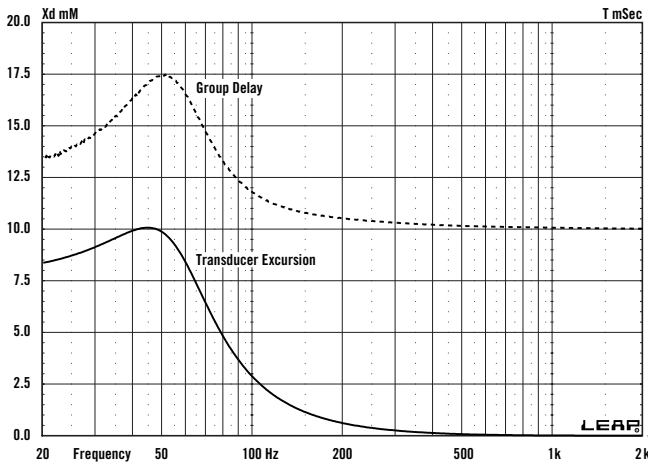
## SEALED FREQUENCY RESPONSE @ 2.83 V



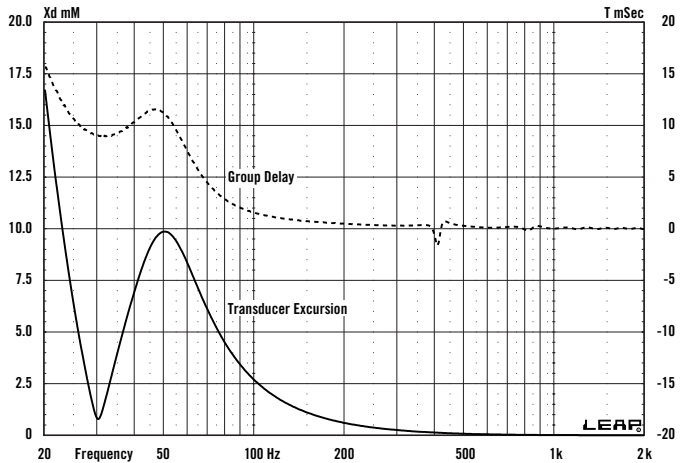
## VENTED FREQUENCY RESPONSE @ 2.83 V



## SEALED EXCURSION/GROUP DELAY @ 250 W



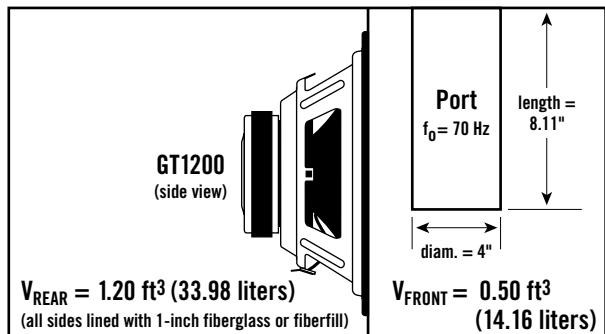
## VENTED EXCURSION/GROUP DELAY @ 275 W





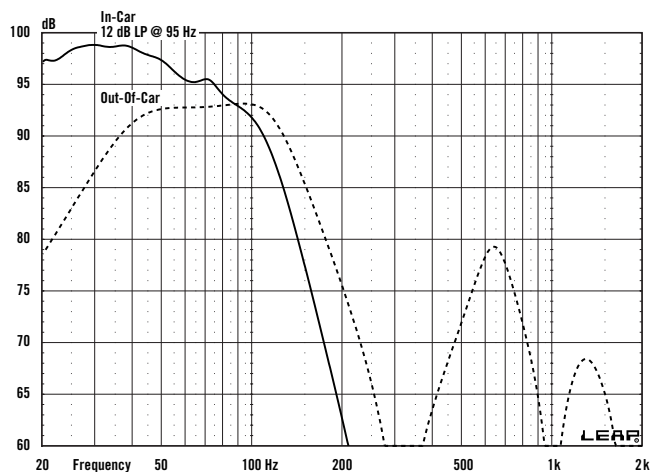
# GT1200 12" Woofer – Technical Data

## SEALED BANDPASS BOX VOLUME



## NOTES

## SEALED BANDPASS FREQUENCY RESPONSE @ 2.83 V



## SEALED BANDPASS EXCURSION/GROUP DELAY @ 200 W

